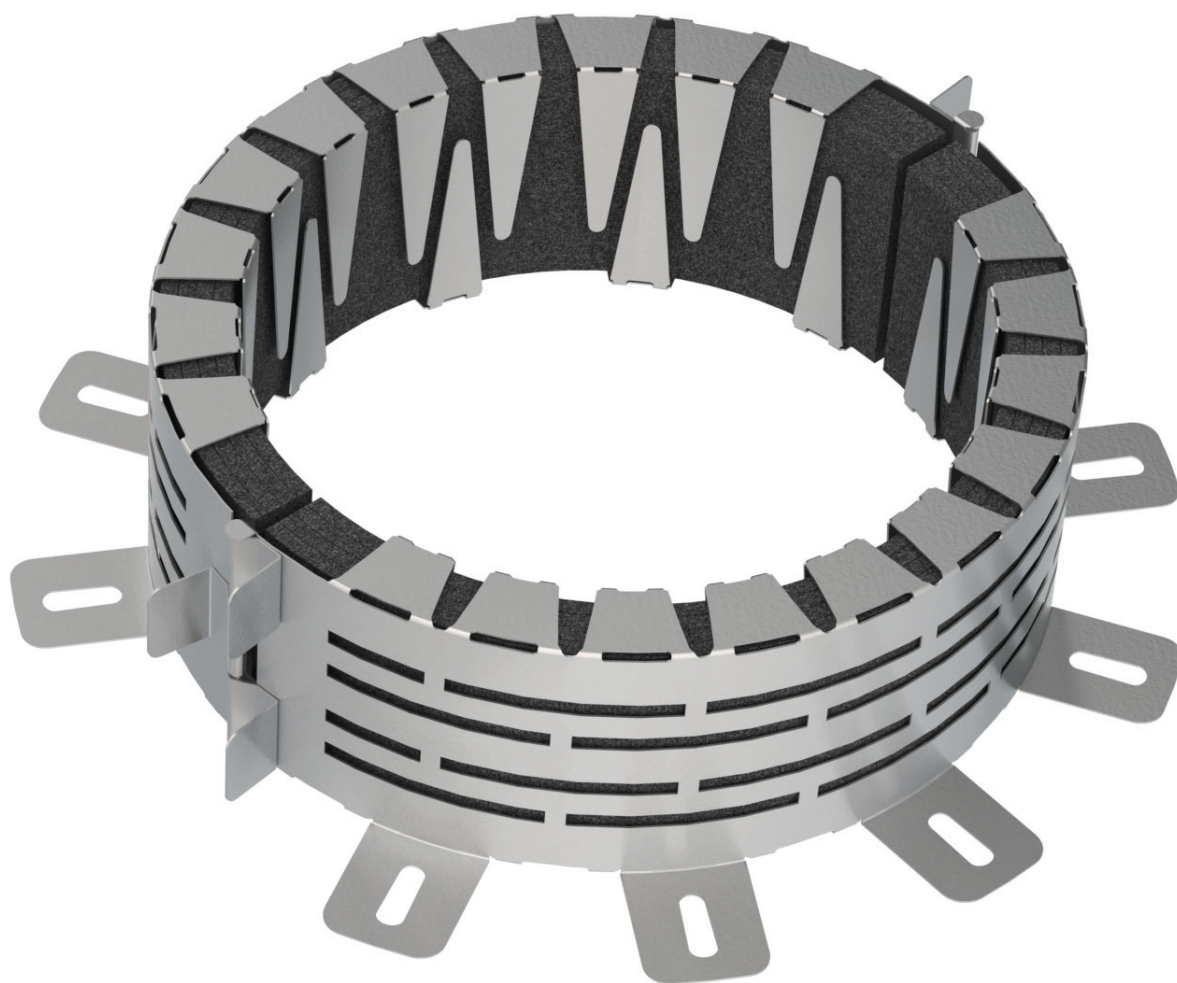


MG2-A XL

Surface-mounted fire resistant collars for large diameters.



CE
0749







Table of content

Declaration of performance	3
Product presentation MG2-A XL	4
Range and dimensions MG2-A XL	4
Storage and handling	5
Installation	5
Installation in rigid wall and floor	6
Weights	8
Approvals and certificates	8

Explanation of the abbreviations and pictograms

d = pipe diameter (outside diameter)
E = integrity

I = thermal insulation
GKB (type A) / GKF (type F): "GKB"
stands for standard plasterboards (type
A according to EN 520) while "GKF"
plasterboards offer a higher fire resistance
for a similar plate thickness (type F
according to EN 520)

	large dimensions		suitable for PE-HD pipes according to EN 1519-1, EN 12666-1 or EN 12201-2 and for ABS pipes according to EN 1455-1
	suitable for PVC-U pipes according to EN 1329-1, EN 1453-1 or EN 1452-1 and for PVC-C pipes according to EN 1566-1		suitable for surface-mount

DECLARATION OF PERFORMANCE

CE_DoP_Rf-t_M3_EN = C-02/2021

1. Unique identification code of the product-type:	MG2-A XL
2. Intended use(s):	Sealing flammable pipes in penetrations through fire compartment walls and floors.
3. Manufacturer:	Rf-Technologies NV, Lange Ambachtstraat 40, B-9860 Oosterzele
4. System/s of AVCP:	System 1
5. Harmonised standard / European Assessment Document: notified body / European Technical Assessment, Technical Assessment Body, notified body; certificate of constancy of performance:	EAD 350454-00-1104.ETA 16/0661; UBAtc asbl, BCCA with identification number 0749; BCCA-0749-CPR-BC1-262-464-026-2.03-2517
6. Declared performance according to EAD 350454-00-1104	(fire resistance according to EN 1366-3, classification according to EN 13501-2)

Essential characteristics				Performance			
Wall type	Wall	Sealing	Type of pipe	Material pipe	Pipe diameter (mm)	Pipe wall thickness (mm)	Classification
Rigid wall	Aerated concrete \geq 100 mm	Not applicable	standard	PVC	315-400 200-250	7,9-11,7 4,9-11,9	EI 120 U/C, C/C EI 120 U/C, C/C
Rigid floor	Aerated concrete \geq 150 mm	Not applicable	standard	PE, ABS PVC PE, ABS	200-250 315-400 200-250	7,7-14,8 14,8-22,7 4,9-11,9 4,9-11,9 7,7-22,7	EI 120 U/C, C/C EI 90 / E 120 U/C, C/C EI 120 U/C, C/C EI 120 U/C, C/C EI 120 U/C, C/C

Harmonised standard
EAD 350454-00-1104



1 Type of installation: surface-mounted, U/C, C/C

Reaction to fire
Durability and ease of maintenance
class E (EN 13501-1)
Y2

The performance of the product identified above is in conformity with the set of declared performance/s. This declaration of performance is issued, in accordance with Regulation (EU) No 305/2011, under the sole responsibility of the manufacturer identified above.

Signed for and on behalf of the manufacturer by:
Mathieu Steenland, Technical Manager

Oosterzele, 02/2021



Product presentation MG2-A XL

Range of large-format fire resistant collars that can easily be mounted on the wall. They have been tested according to EN1366-3 and are fire resistant up to 120 minutes in rigid walls and floors. These large-format collars feature a stainless steel housing and a practical locking system for an easy mounting. The fire resistant collar MG2-A XL is mounted on the surface of walls and floors around plastic pipes (PVC, HDPE, ABS). One collar is installed at each side of a vertical wall crossing. Across a floor slab, a single MG2-A is enough on the underside of the floor.

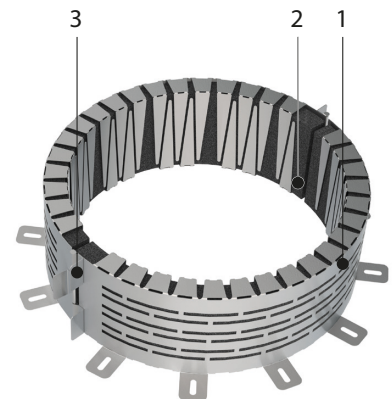
When combustible pipes burn away, openings appear in the floor or walls through which fire can spread. Fire resistant collars prevent propagation of fire by expanding through heat, thus closing off the openings and making them fire resistant.

- ✓ large dimensions
- ✓ stainless steel casing
- ✓ easy to install
- ✓ no specific tools, no sealing required
- ✓ installation U/C, C/C (uncapped-capped / capped-capped).
- ✓ CE marking according to EAD 350454-00-1104



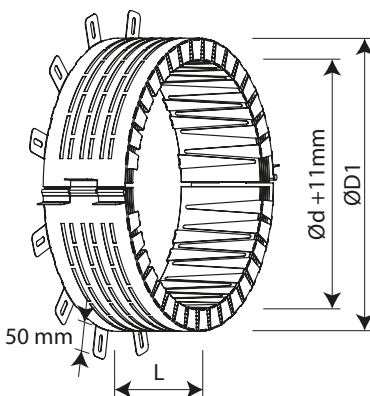
- maintenance-free
- suitable for surface-mount
- suitable for PVC-U pipes according to EN 1329-1, EN 1453-1 or EN 1452-1 and for PVC-C pipes according to EN 1566-1
- suitable for PE-HD pipes according to EN 1519-1, EN 12666-1 or EN 12201-2 and for ABS pipes according to EN 1455-1

1. stainless steel casing
2. intumescent strips
3. locking system



Range and dimensions MG2-A XL

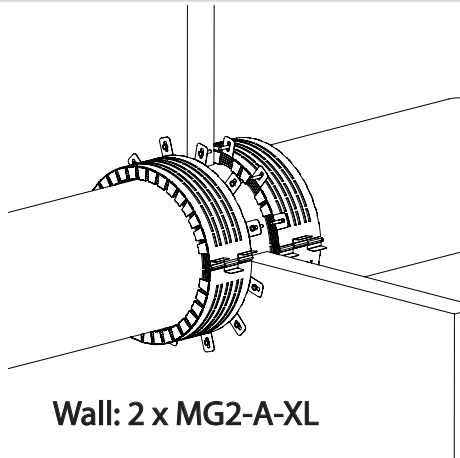
number of fixation points: 8 (Ø d 200) / 10 (Ø d 250-355) / 12 (Ø d 400)



Ød (mm)	200	250	315	355	400
D1	271	321	396	436	481
L	103	103	155	155	155

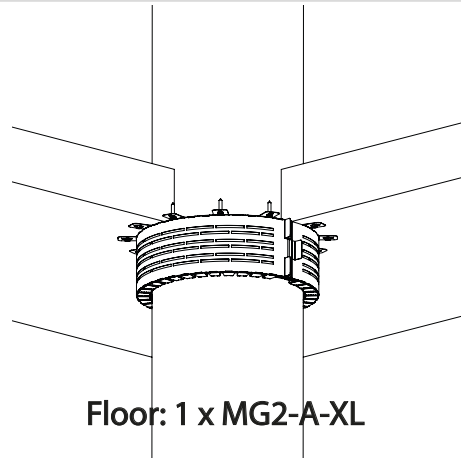
D1 = outside diameter of the collar
 d = inside diameter of the collar, corresponding to the outside diameter of the pipe

Wall: 2 x MG2-A-XL



Wall: 2 x MG2-A-XL

Floor: 1 x MG2-A-XL



Floor: 1 x MG2-A-XL

Storage and handling

As this product is a safety element, it should be stored and handled with care.

It is recommended:

- to unload in a dry area
- to keep in a cool, dry area, protected from heat
- to transport the product in a closed vehicle

Installation

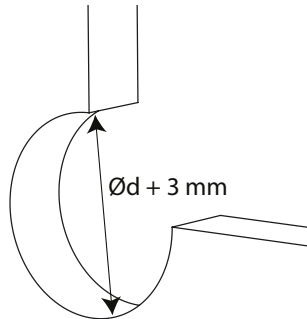
General points

- The installation must comply with the installation manual and the classification report.
- The pipe must be supported in order to guarantee the well-functioning of the sealing during a fire. Supports and fastenings should be realised according to the rules of good craftsmanship.

Installation in rigid wall and floor

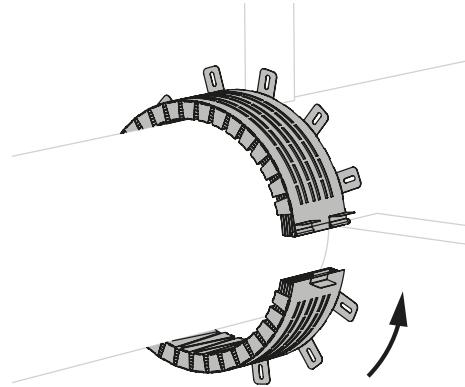
The product was tested and approved in: see the classification overview. Mounting is authorised in supporting constructions with a thickness and/or density equal or superior to the supporting construction used during the test, as described in EN 1366-3.

1



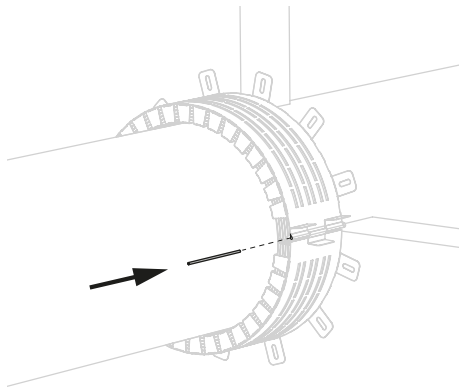
1. Provide an installation opening of $\varnothing d + 3 \text{ mm}$.

2



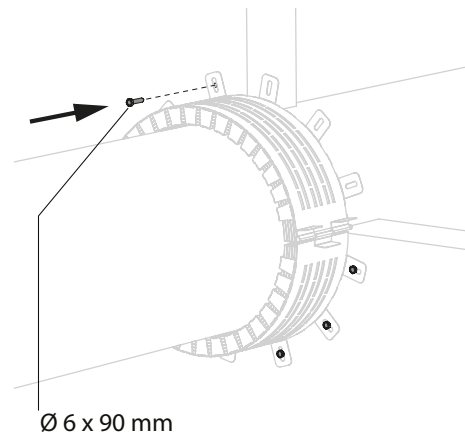
2. Install the plastic pipe in the opening and place the collar around the pipe.

3



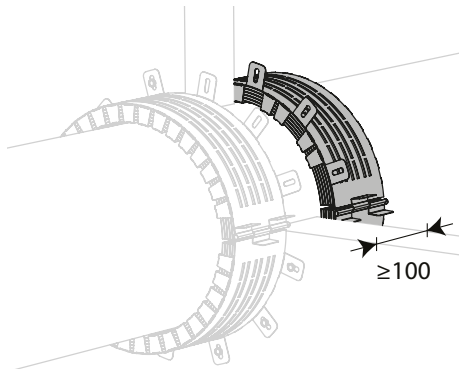
3. Close the collar with the locking device. Insert the provided axis through the hinges and fold the protective flap.

4



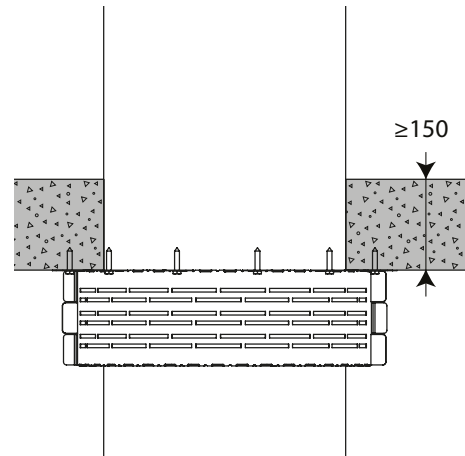
4. Use standard screws $\varnothing 6 \times 90 \text{ mm}$ to affix the collar to the wall/floor.

5



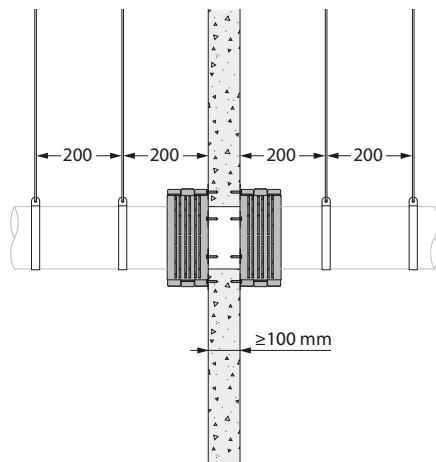
5. Place a collar on the other side in the same way.

6



6. One collar on the bottom side of the floor is sufficient for floor penetrations.

7



7. The pipe must be supported in order to guarantee the well-functioning of the sealing during a fire. Supports and fastenings should be realised according to the rules of good craftsmanship.

Weights

MG2-A XL

Ød [mm]	200	250	315	355	400
kg	2,7	3,2	7,0	7,8	9,6

Approvals and certificates

All our products are submitted to a number of tests by official test institutes. Reports of these tests form the basis for the approvals of our products.



BCCA-0749-CPR-BC1-262-464-026-2.03-2517